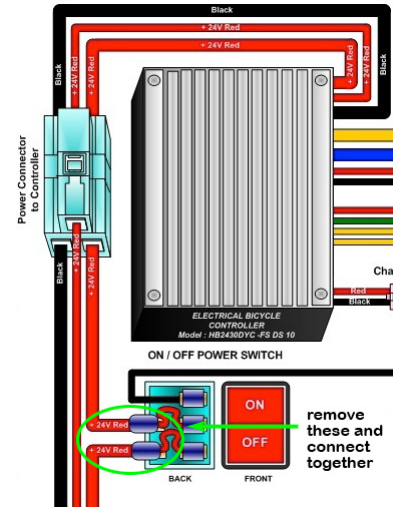


Changing Razor wiring for new controllers

In older model Razor scooters, the power from the battery went directly through the switch. With the newer models, the battery connects directly to the controller and the controller has 2 separate wires that connect to the power switch. Changing the wiring is easy – remove the 2 red wires that connect power directly through the switch and connect them together or to the circuit breaker.

Convert older MX350, Pocket Mod, or Pocket Rocket to new wiring

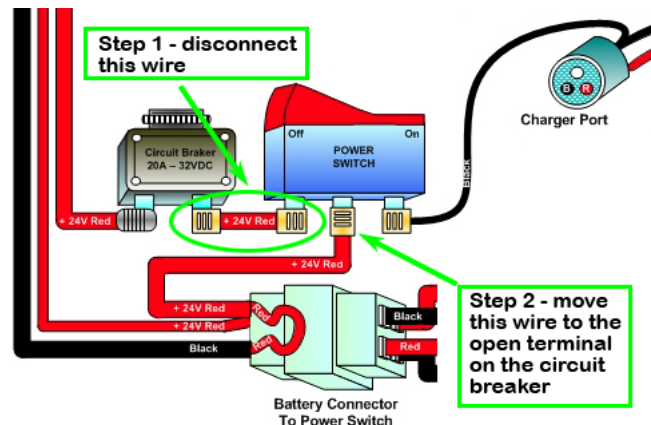
- With the original controller removed, it's easy to determine if you have an older bike that needs to be converted. If the controller didn't have wires connecting directly to the switch and the connector for the battery has 3 wires (one thick red and one thin), you have an older version.
- The E200, E300, and some old Pocket Rockets use a circuit breaker. If your scooter has a circuit breaker please follow the instructions below for "Convert older E200 / E300"
- Remove the 2 red wires connected to the on/off switch shown in the picture to the right.
- Using the provided brass link, you will connect these 2 wires together. Simply insert the brass link in to the terminal of one of the wires and then push the terminal of the other wire on to the other end. The finished result should look like the picture below. You may wish to wrap some electrical tape over the metal part just to be safe. You could also cut off the terminals, strip the wires, and connect them together with a butt connector.



- The 2 extra red wires on the new controller will now connect to the free terminals on the power switch.

Convert older E200 / E300, or Ground Force to new wiring

- With the controller removed, it's easy to determine if you have an older scooter that needs to be converted. If the controller didn't have wires connecting directly to the switch and the connector for the battery has 3 wires (one thick red and one thin), you have an older version.
- These instructions are for converting scooters with circuit breakers, if you do not have a circuit breaker use the "Convert older MX350" instructions above.
- Disconnect and remove the wire that goes from the power switch to the circuit breaker as shown in the image above.
- Disconnect the other red wire from the power switch and connect it to the now open terminal on the circuit breaker.
- The 2 extra red wires on the new controller will now connect to the free terminals on the power switch.



If you have any questions or it's not working as it should, give us a call 720-443-3231, we're always here to help.